

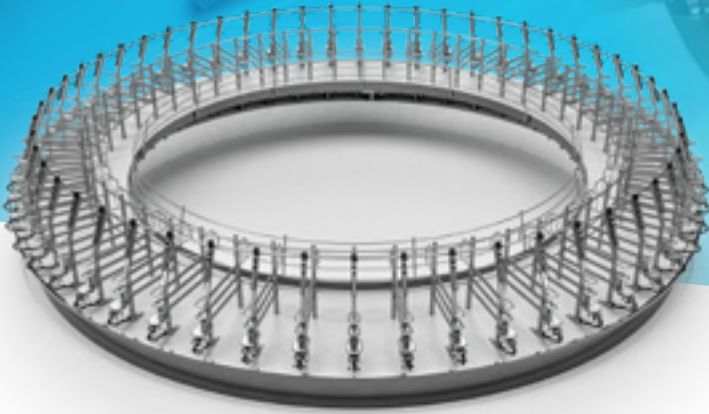
WAIKATO®

MILKING SYSTEMS

ORBIT

102

CONCRETE ROTARY MILKING SYSTEMS



ROBUST SYSTEMS FOR EFFICIENT MILKING



A CLEAN, FAST MILKING ENVIRONMENT TO MAXIMISE
PARLOUR THROUGHPUT and grow the value of your dairy

WAIKATOMILKING.COM

INCREASED EFFICIENCY, REDUCED LABOUR COSTS - ORBITS ARE SOLID, PROVEN AND RELIABLE



ADVANTAGES

Orbit Concrete Rotary Milking Systems have been serving dairy farms around the world for nearly quarter of a century and continue to be a popular choice among family orientated farms as well as commercial dairy operations.

The strength and integrity of an Orbit Concrete Rotary Milking System has earned a reputation for reliability, longevity and proven technology, delivering excellent return on investment.

An Orbit is designed to provide a safe, clean and fast milking environment for both animals and operator. This ensures cow flow on and off the platform is excellent and the milking equipment is easily accessible for the operator, both elements working together to optimise milking time and milk quality.

Orbit Rotary Milking Systems are designed to integrate seamlessly with the range of Waikato Milking Systems automation technology. The Orbit System has been designed to be fully upgradable, which means new automation options can be added when the time is right, whether that be to meet herd expansion plans or simply when the budget allows.



Easy to install, easy to use

The Orbit's SmartFIT mounting systems allows the milking machine equipment to be quickly and accurately attached to the rotary platform. Bolting on instead of welding reduces chance of corrosion.



Fast, quiet and efficient milking

The Orbit's design ensures excellent cow flow at entry and exit points providing a safe and calm working environment for the operator and animals. Unique deck ports allow for ideal cluster alignment and easy cluster application.



Superior protection of milking equipment

The 2.7m width of the Orbit platform offers excellent protection for milking and electronic equipment. The deck slopes outwards which ensures effluent runs to the outside of the platform and an effective lubrication system keeps the 100mm concrete deck turning, reliably, at each milking time.



Full compatibility

The Orbit is compatible with the range of Waikato Milking Systems automation technology to help optimise your dairy operation. Our Research and Development team continues to test new automation equipment to make further advances in efficiency and productivity for dairy farms.



ORBIT 2500

SOLID, PROVEN AND RELIABLE

The Orbit 2500 is an entry-level milking system without automation that utilises solid, proven technology to provide you with a clean and efficient milking environment.

Recognised for its strength and integrity, the design of the Orbit rotary concrete platform ensures excellent cow flow on and off the platform and provides easy access to milking equipment.

The platform is supplied with one operator console that includes safety devices and protection equipment, and the SmartFIT mounting systems allow for fast installation of equipment and easy maintenance.

The Orbit 2500 milking system is future-proofed, so it can be upgraded seamlessly with Waikato Milking Systems' dairy automation technology to increase your productivity and reduce labour costs when the time suits.

ADVANTAGES

The Orbit 2500 provides a solid, proven and reliable base model milking system to improve your milking parlour efficiency.



A quiet, efficient milking environment
An easy-to-use milking platform utilising solid, proven technology for quiet and efficient milking.



Excellent cow flow
The outward sloping deck allows for easy entry and exit, while ensuring effluent runs to the outside of the platform.



Designed for protection and efficiency
The wide deck provides protection for machinery, and the unique deck ports allow for better cluster alignment and application.

WHAT'S INCLUDED:

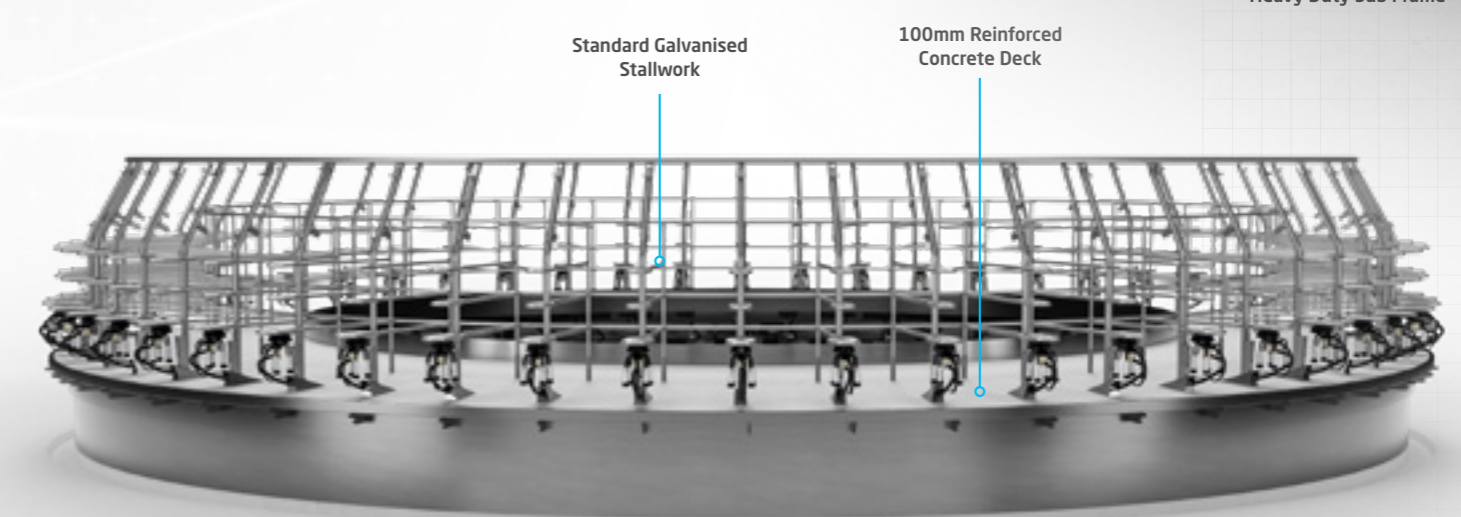
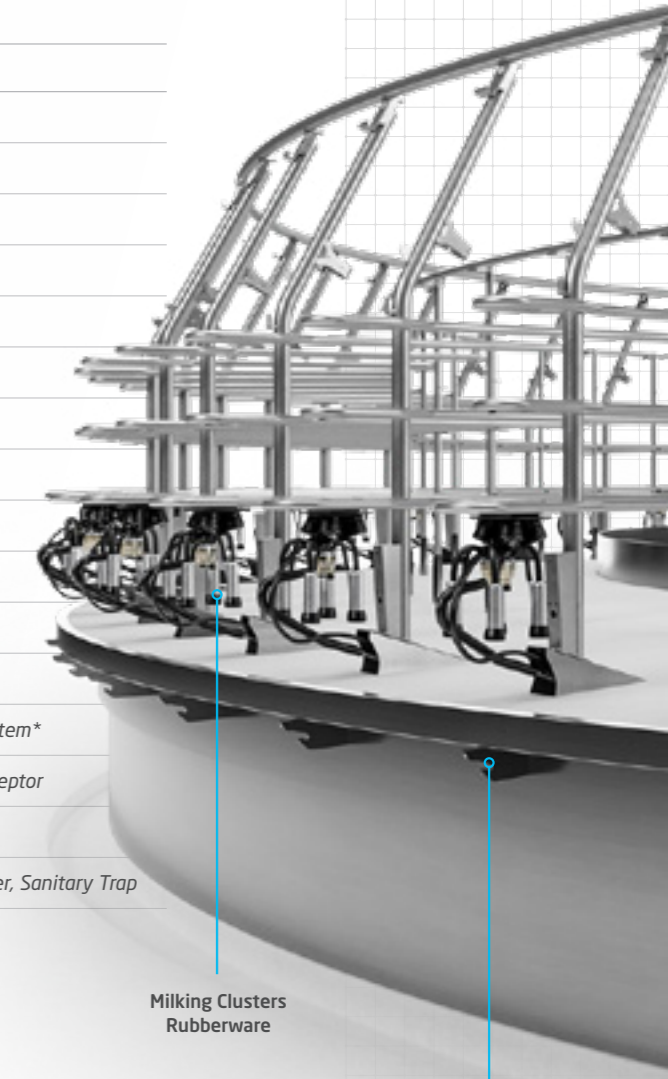
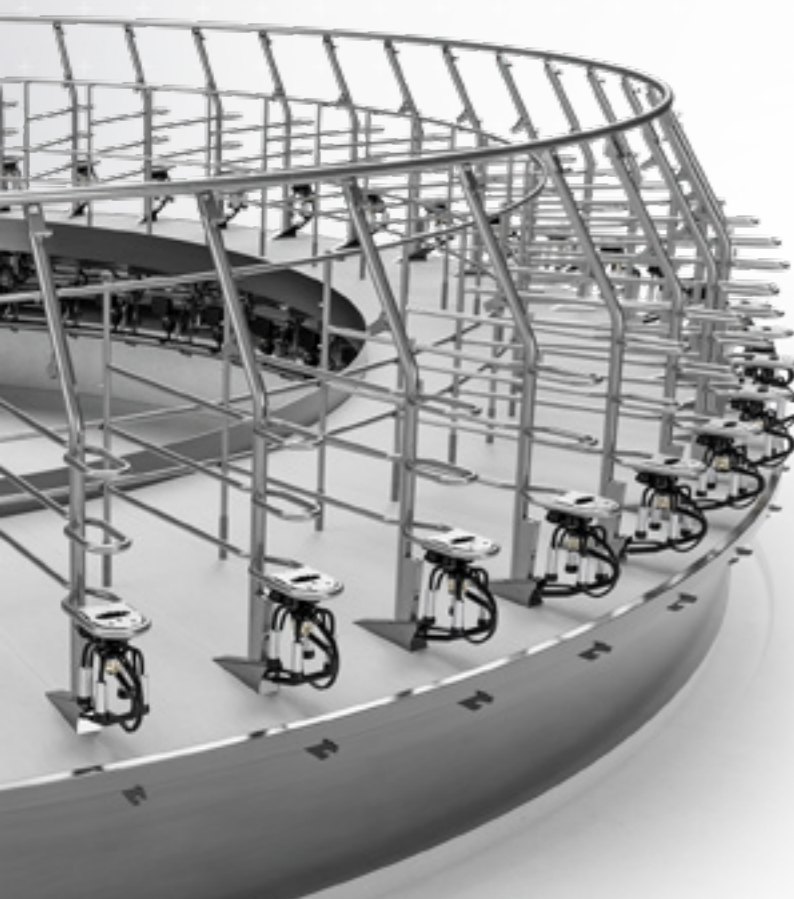
Platform:

- Rated Operating Duty per Day = 12 hrs
- Standard Stall width (875mm c/c outer rim)
- Standard Galvanised Stallwork
- Double Beam with nylon rollers at approx. 650mm spacing
- 100mm reinforced Concrete deck
- Drive Units & Cups On Controls
- Heavy duty galvanised RSJ sub frame
- Extra wide 2.7m platform
- Automatic lubrication system
- Full circumference control and emergency stop ropes
- Entry crush switch
- Entry D-Gate Assembly
- Full circumference rump and kick rail

Milking System:

- Milking point: *Clusters, Rubberware, Pulsators*
- Milk Handling: *Milk Pump, Milk Filter, Plate Heat Exchanger*, Chilling System**
- Vacuum System: *Vacuum pump, Vacuum Controller, Rotary Swivel, Interceptor*
- CIP / Wash System: *Wash Tub, Jetters, Recirculation Lines*
- Stainless Steel Componentry: *Rolled milk, pulsator & wash Lines, Receiver, Sanitary Trap*

** Some specifications may change depending on regional requirements*



Milking Clusters
Rubberware

Heavy Duty Sub Frame

Standard Galvanised
Stallwork

100mm Reinforced
Concrete Deck

ORBIT 5500

INCREASED EFFICIENCY, REDUCED LABOUR COSTS

The Orbit 5500 builds on the entry-level milking system with the introduction of automated cluster removal to increase efficiency and reduce labour costs.

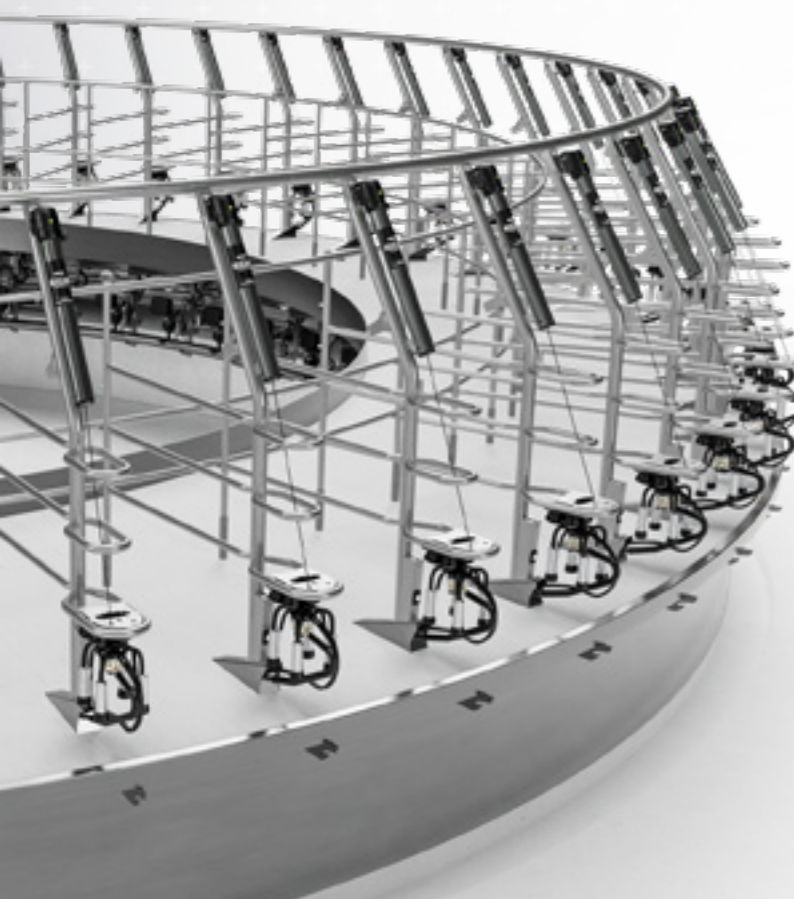
The Orbit rotary concrete milking system is known for its strength and integrity, and has been designed to ensure excellent cow flow on and off the platform.

Utilising solid, proven technology the Orbit 5500 milking system provides you with a quiet, clean and efficient milking environment with easy access to milking equipment.

One operator control console is supplied with the platform and includes safety devices and protection equipment, while SmartFIT mounting systems make equipment installation quicker and maintenance easier.

ADVANTAGES

The Orbit 5500 provides entry-level automation to increase your milking efficiency and reduce labour costs.



Excellent cow flow

The outward sloping deck allows for easy entry and exit, while ensuring manure runs to the outside of the platform.



Designed for protection and efficiency

The wide deck provides protection for machinery, and the unique deck ports allow for better cluster alignment and application.



A clean milk out and reduced labour

Labour-saving automatic cup removers offer a consistent milk out, while the User Display gives the operator real-time milking information and alerts.

WHAT'S INCLUDED:

Platform:

- Rated Operating Duty per Day = 12 hrs
- Standard Stall width (875mm c/c outer rim)
- Standard Galvanised Stallwork
- Double Beam with nylon rollers at approx. 650mm spacing
- 100mm reinforced Concrete deck
- Drive Units & Cups On Controls
- Heavy duty galvanised sub frame
- Extra wide 2.7m platform
- Automatic lubrication system
- Full circumference control and emergency stop ropes
- Entry crush switch
- Entry D-Gate Assembly
- Full circumference rump and kick rail

Milking System:

- Milking point: *Clusters, Rubberware, Pulsators*
- Milk Handling: *Milk Pump, Milk Filter, Plate Heat Exchanger*, Chilling System**
- Vacuum System: *Vacuum pump, Vacuum Controller, Rotary Swivel, Interceptor*
- CIP / Wash System: *Wash Controller, Wash Tub, Jetters, Recirculation Lines*
- Stainless Steel Componentry: *Rolled milk, pulsator & wash Lines, Receiver, Sanitary Trap*

Dairy + Animal Management:

- ACR's / Detachers

** Some specifications may change depending on regional requirements*

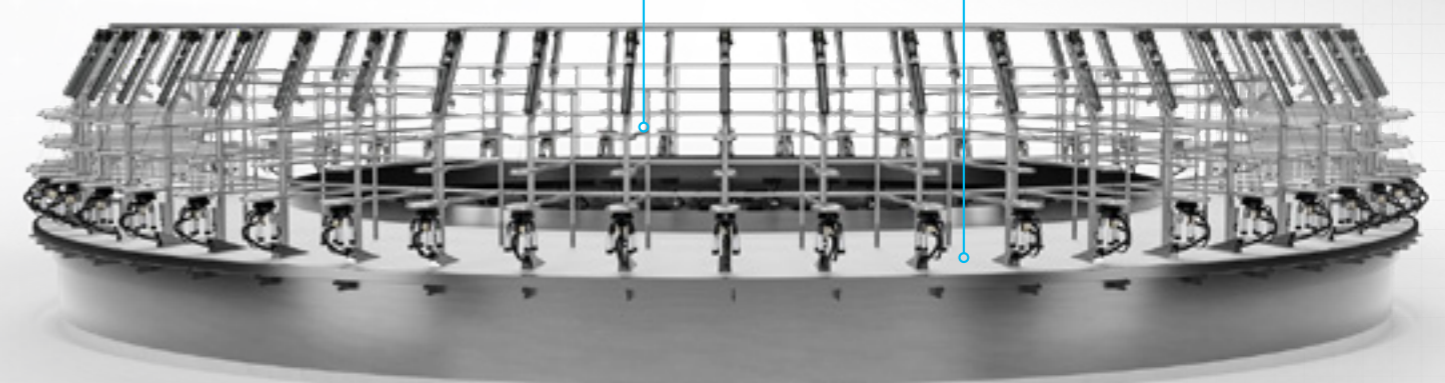
ACR's / Detachers

Milking Clusters
Rubberware

Heavy Duty Sub Frame

Standard Galvanised
Stallwork

100mm Reinforced
Concrete Deck



ORBIT 9500

MAXIMISE YOUR MILKING EFFICIENCY & PRODUCTIVITY

The Orbit 9500 milking system provides a full suite of automation technology including automatic cup removers, automatic udder health monitoring and pre-milking stimulation, and milk yield to measure and record milk volumes.

The design of the Orbit concrete rotary platform utilises solid, proven technology to provide you with a clean and efficient milking environment with easy access to milking equipment. Recognised for its strength and integrity, the Orbit 9500 milking system ensures excellent cow flow on and off the platform.

The heavy duty stallwork on the Orbit 9500 provides the next level of strength and durability for large scale 24/7 dairy operations or for operations with larger livestock. The 9500s with stainless steel heavy duty stallwork is resistant to chemical spray and effluent and is easier to clean and maintain.

ADVANTAGES

The Orbit 9500 provides a full suite of automation to increase your milking efficiency and reduce labour costs.



Excellent cow flow

The outward sloping deck allows for easy entry and exit, while ensuring manure runs to the outside of the platform.



Increase efficiency and reduce labour costs

A full automation suite gives real-time data along with animal health and performance monitoring.



Strong & durable extra comfort width stallwork

Designed for use in parlours with larger stock, providing a level of strength and durability for 24/7 milking.

Also available in:

9500s Heavy duty stainless steel stallwork

WHAT'S INCLUDED:

Platform:

- Rated Operating Duty per Day = 24 hrs
- Extra Comfort Bail Width (980mm c/c outer rim)
- Heavy Duty Galvanised stallwork (or optional Stainless Steel)
- Double Beam with nylon rollers to suit 24/7 systems, at approx. 450mm spacing
- 100mm reinforced Concrete deck
- Drive Units & Cups On Controls
- Heavy duty galvanised sub frame
- Extra wide 2.7m platform
- Automatic lubrication system
- Full circumference control and emergency stop rope
- Entry crush switch
- Entry D-Gate Assembly
- Full circumference rump and kick rail

Milking System:

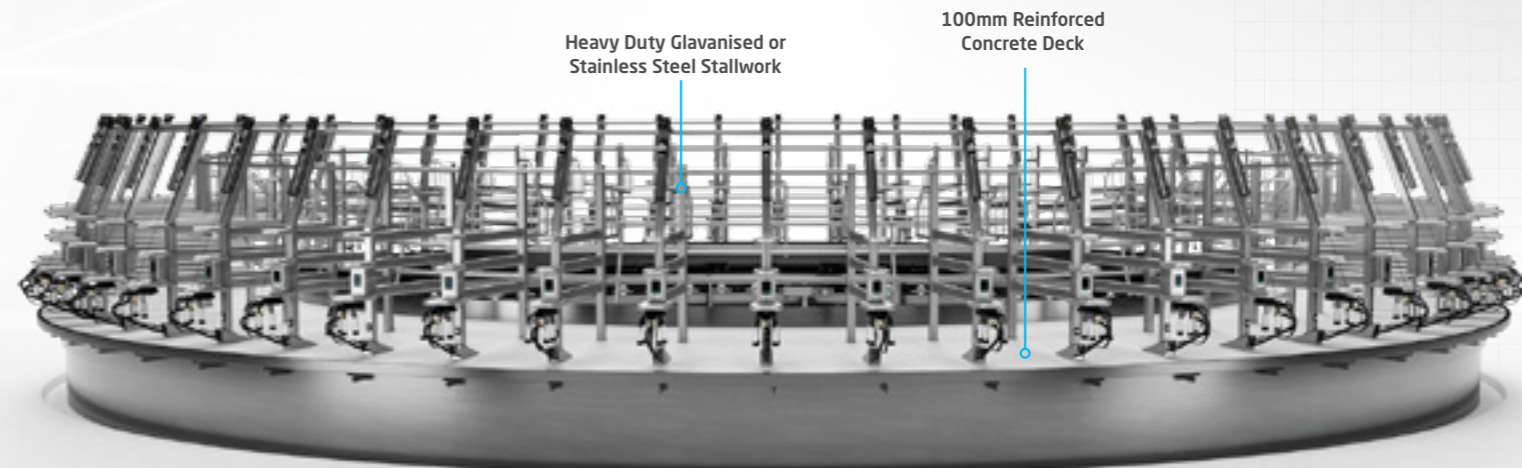
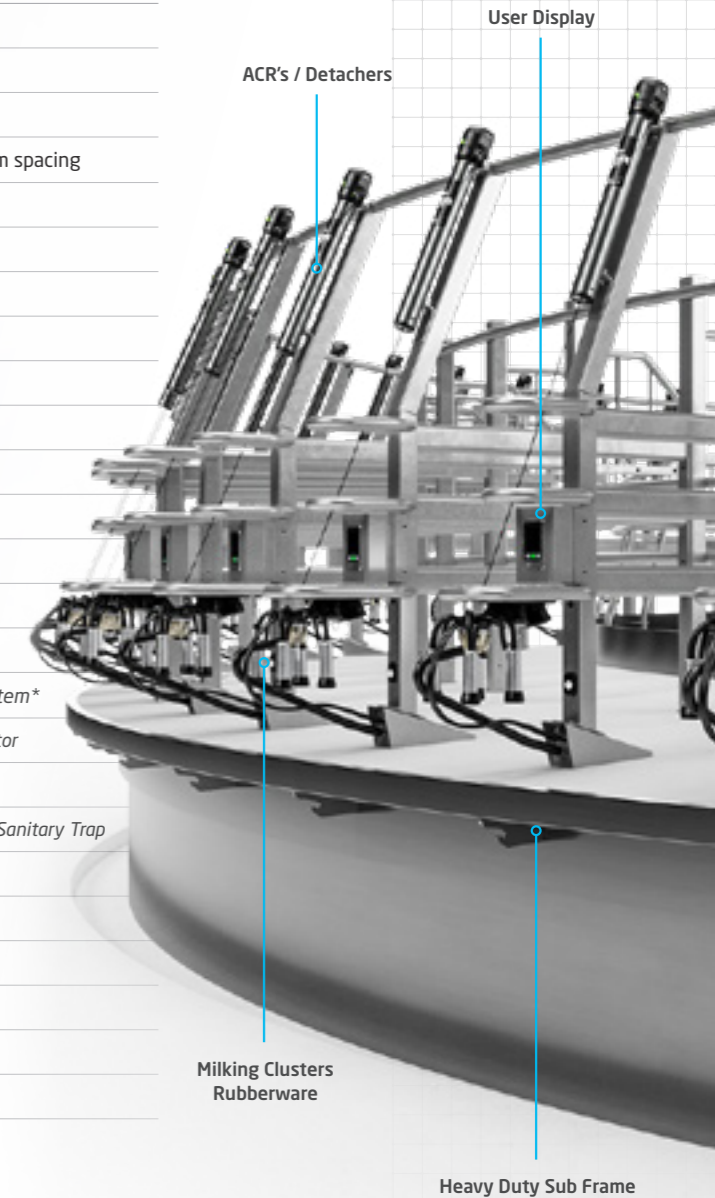
- Milking point: Clusters, Rubberware, Pulsators
- Milk Handling: Milk Pump, Milk Filter, Plate Heat Exchanger*, Chilling System*
- Vacuum System: Vacuum pump, Vacuum Controller, Rotary Swivel, Interceptor
- CIP / Wash System: Wash Tub, Jetters, Recirculation Lines
- Stainless Steel Componentry: Rolled milk, pulsator & wash Lines, Receiver, Sanitary Trap

Dairy + Animal Management:

- ACR's / Detachers
- Milking Point User Display
- Mastitis and Udder Health Detection
- Milk Metering
- Dairy Management System

* Some specifications may change depending on regional requirements

* Also available as a 9500s which has Stainless Steel stallwork



A solution that revolves around their operational requirements

When Kiwitahi Pastoral were looking for a new rotary milking system for one of their four dairy farms in the Waikato, they began researching platform options. The company had purchased the 303-hectare, Oreipunga Road dairy farm near Cambridge in 2018, and began planning its redevelopment the following year. The aim was to replace an old 33-aside Herringbone system with a modern rotary milking plant, located more centrally on the property to manage the farm's 700 cows.

As a part of the company's research, co-owner Jason Trower said they were focussed on the types of platforms that were available on the market. "The driving factor for us was the concept of having a platform that offered a total solution for the way we wanted to operate the dairy farm," says Jason, "We shortlisted two providers and Waikato Milking Systems were one of them".

After Jason Trower and Duncan Enersen visited various dairy farms to compare the design and performance of the two shortlisted platform options, the decision was made to install a Waikato Milking Systems 54-point Orbit Concrete Rotary Milking System.

"There was a marked difference in the visibility across the Orbit platform deck because of the design of the bail."

says Jason. With two steel legs from the bail on the platform "rather than something solid sitting on the deck" Jason says it was a bonus from a health and safety perspective. "It makes the platform more open, so you're able to see across the deck and spot potential problems that might occur with animals getting into difficulty and address them immediately".

In Jason's view the Waikato Milking Systems shed they visited was "significantly cleaner" than the competitor, "which is also due to the open bail design. It just makes the deck more accessible and easier to clean, and to keep clean during milking". These were big consideration factors for the company, as they wanted to make the milking routine as easy as possible for their staff.

Jason and Duncan were also impressed with how all the key components of the milking system were housed under the Orbit platform, but easily accessible from the centre. "So if we ever had service or maintenance issues, it would be easier to access everything".

One of the common weak points the company has on their other existing rotary milking systems, has been the platform track and roller systems. "So our choice of platform system for the Orbit was the Waikato Milking Systems multi roller - because of its increased durability and how the design

“
The driving factor for us was the concept of having a platform that offered a total solution for the way we wanted to operate the dairy farm.
”

allows you to change a roller out without having to lift the platform or jack it up" says Jason. "That got a big tick from me, a lot of thought has gone into that design aspect".

“
The open bail design helps makes the deck more accessible and easier to clean, and to keep clean during milking.
”

The Orbit system was commissioned in November 2020, with Jason saying, "From an operational perspective the platform has performed seamlessly, and we haven't had an issue with it from the moment it started turning".



[PICTURED]
DUNCAN ENERSEN
KIWITAH PASTORAL
OPERATIONS MANAGER
— WAIKATO, NEW ZEALAND

Farm name:
Kiwitahi Pastoral

Co-Owner:
Jason Trower

System type:
54-point Orbit Concrete Rotary Milking System

Herd size:
700

Location:
Cambridge, Waikato, NZ





GLOBAL HEADQUARTERS

T: +64 7 849 8755 **F:** +64 7 849 5923

29 Innovation Way | Northgate Business Park, Horotiu | Hamilton, New Zealand

PO Box 20325, Hamilton 3241 | New Zealand | customerservice@waikatomilking.com

AUSTRALIAN OFFICE

G11/61 Mackenzie Street, Melbourne, VIC 3000

customerservice@waikatomilking.com

UK OFFICE

JB Wheaton & Sons Ltd, Chard Junction, Somerset, TA20 4QN

customerservice@waikatomilking.com

IRELAND OFFICE

Waikato Milking Systems Ireland Limited, Glenmaquin, Letterkenny, Co Donegal, F92X8C1

customerservice@waikatomilking.com

USA OFFICE

Waikato Milking Systems USA

275 Investment Court, Verona, Wisconsin 53593, USA

Phone toll free: +1. 866 648 6455

CHINA OFFICE

Waikato Milking Systems China

No., Room 315, Third floor of Zhongtai International.

269 Fuyupo Village, Sanjianfang Township,

Chaoyang District, Beijing

customerservice@waikatomilking.com

waikatomilking.com



Growing the value of dairy